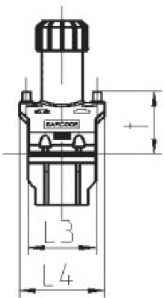
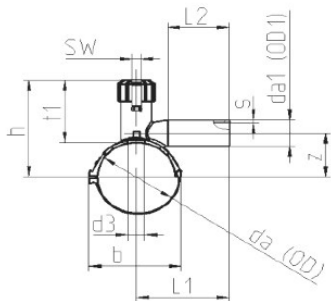


AGRU Tapping Tee



SDR 11 - STANDARD DIMENSION RATIO / WATER - MOP 200 PSI (PN 16)

Product Code	Nominal Diameter [INCH]	da(OD) [INCH]	da1 (OD1) [INCH]	s [INCH]	z [INCH]	L1 [INCH]	L2 [INCH]	L3 [INCH]	L4 [INCH]	d3 [INCH]	h [INCH]	b [INCH]	SW [INCH]	t [INCH]	t1 [INCH]	weight [LBS]
51.278.0250.12	2"1/2" CTS	2	0.5	0.10	2.24	4.72	3.39	4.02	4.69	1.02	6.67	3.90	0.39	2.34	5.43	1.18
51.278.0201.12	2"1" CTS	2	1	0.12	2.24	5.12	3.62	4.02	4.69	1.02	6.67	3.90	0.39	2.34	5.43	1.21
51.278.0275.11	2"3/4" IPS	2	0.75	0.09	2.24	5.12	3.62	4.02	4.69	1.02	6.67	3.90	0.39	2.34	5.43	1.20
51.278.0201.11	2"1" IPS	2	1	0.12	2.24	5.12	3.62	4.02	4.69	1.02	6.67	3.90	0.39	2.34	5.43	1.21
51.278.0350.12	3"1/2" CTS	3	0.5	0.10	2.64	4.92	3.39	4.06	5.12	1.26	7.74	5.04	0.67	2.87	5.98	1.62
51.278.0301.12	3"1" CTS	3	1	0.12	2.64	5.12	3.62	4.06	5.12	1.26	7.74	5.04	0.67	2.87	5.98	1.64
51.278.0375.11	3"3/4" IPS	3	0.75	0.09	2.64	5.12	3.62	4.06	5.12	1.26	7.74	5.04	0.67	2.87	5.98	1.63
51.278.0301.11	3"1" IPS	3	1	0.12	2.64	5.12	3.62	4.06	5.12	1.26	7.74	5.04	0.67	2.87	5.98	1.65
51.278.0450.12	4"1/2" CTS	4	0.5	0.10	2.99	4.92	3.39	4.06	5.12	1.26	8.13	5.87	0.67	3.27	5.98	1.71
51.278.0401.12	4"1" CTS	4	1	0.12	2.99	5.12	3.62	4.06	5.12	1.26	8.13	5.87	0.67	3.27	5.98	1.74
51.278.0475.11	4"3/4" IPS	4	0.75	0.09	2.99	5.12	3.62	4.06	5.12	1.26	8.13	5.87	0.67	3.27	5.98	1.72
51.278.0401.11	4"1" IPS	4	1	0.12	2.99	5.12	3.62	4.06	5.12	1.26	8.13	5.87	0.67	3.27	5.98	1.74
51.278.0650.12	6"1/2" CTS	6	0.5	0.10	3.90	4.92	3.39	4.06	5.16	1.26	9.11	8.03	0.67	4.25	5.98	1.28
51.278.0601.12	6"1" CTS	6	1	0.12	3.90	5.12	3.62	4.06	5.16	1.26	9.11	8.03	0.67	4.25	5.98	1.90
51.278.0675.11	6"3/4" IPS	6	0.75	0.09	3.90	5.12	3.62	4.06	5.16	1.26	9.11	8.03	0.67	4.25	5.98	1.89
51.278.0601.11	6"1" IPS	6	1	0.12	3.90	5.12	3.62	4.06	5.16	1.26	9.11	8.03	0.67	4.25	5.98	1.90

Notes:

- PE 100/4710/3408
 - Black
 - ASTM D2513/F1055
 - AWWA C906
 - NSF 61
1. All dimensions shown are nominal and subject to manufacturing tolerance OD and minimum wall are determined in accordance with ASTM standards. Drawing shown is an approximation only.
 2. Fittings are marked to meet standards to which the product is produced and labeled.

