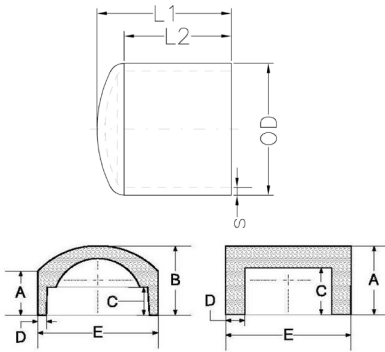


## IPS Butt End Caps



- Molded from black PE 100/ 4710 resin & NSF-61 certified
- Complies with the following product standards: ASTM D2513, D3261, D3350, and AWWA C906

### SDR 9 (STANDARD DIMENSION RATIO) 250 PSI (WORKING PRESSURE AS 73.4° F)

Product Code	Nominal Diameter (inch)	L1 (inch)	L2 (inch)	C Depth	s (inch) Wall	OD (inch)	Weight (lbs.)
RF-CAPS-R9-02.00	2" IPS	3.53	3.23	1.50	0.26	2.38	0.30
RF-CAPS-R9-03.00	3" IPS	3.13	2.90	1.50	0.39	3.50	0.62
RF-CAPS-R9-04.00	4" IPS	5.65	3.90	1.50	0.50	4.50	1.44
RF-CAPS-R9-06.00	6" IPS	5.70	3.30	1.50	0.74	6.63	2.75
RF-51.114.0010.09*	10" IPS	9.69	6.14	1.50	1.19	10.74	16.795
RF-51.114.0012.09*	12" IPS	11.50	7.24	1.50	1.82	12.73	26.63

### SDR 7 (STANDARD DIMENSION RATIO) 335 PSI (WORKING PRESSURE AS 73.4° F)

Product Code	Nominal Diameter (inch)	L1 (inch)	L2 (inch)	C Depth	s (inch) Wall	OD (inch)	Weight (lbs.)
RF-CAPS-R7-02.00	2" IPS	3.53	3.23	1.50	0.34	2.38	0.31
RF-CAPS-R7-03.00	3" IPS	3.13	2.90	1.50	0.50	3.50	0.71
RF-CAPS-R7-04.00	4" IPS	5.65	3.90	1.50	0.64	4.50	2.89
RF-CAPS-R7-06.00	6" IPS	5.70	3.30	1.50	0.95	6.63	2.995
RF-51.114.0010.07*	10" IPS	9.69	6.14	1.50	1.54	10.74	17.54
RF-51.114.0012.07*	12" IPS	11.50	7.24	1.50	1.82	12.73	28.85

\*Produced at AGRU Austria.

Notes:

- All dimensions shown are nominal and subject to manufacturing tolerance OD and minimum wall are determined in accordance with ASTM standards. Drawing shown is an approximation only.
- Please refer to DOT pressure requirements for natural gas applications.
- Fittings are marked to meet standards to which the product is produced and labeled.