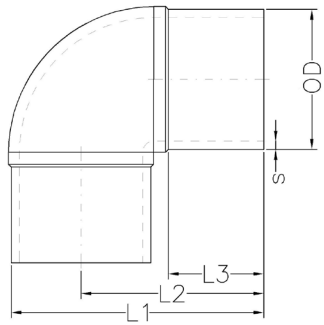


Butt 90 Degree IPS Elbows



- Molded from black PE 100/ 4710 resin & NSF-61 certified
- Complies with the following product standards: ASTM D2513, D3261, D3350, and AWWA C906

SDR 17 (STANDARD DIMENSION RATIO) 125 PSI (WORKING PRESSURE AS 73.4° F)

Product Code	Nominal Diameter (inch)	L1 (inch)	L2 (inch)	L3 (inch)	s (inch) Min Wall	OD (inch)	Weight (lbs.)
FF-51.113.0002.17	2" IPS	5.71	4.41	2.44	0.14	2.38	0.29
FF-51.113.0003.17	3" IPS	7.48	5.67	3.23	0.21	3.50	1.01
FF-51.113.0004.17	4" IPS	8.90	6.54	3.66	0.26	4.50	1.95
FF-51.113.0006.17	6" IPS	12.13	8.74	4.49	0.39	6.63	5.42
FF-51.113.0008.17	8" IPS	15.75	11.42	5.63	0.51	8.63	12.53
FF-51.113.0010.17	10" IPS	18.82	13.35	6.14	0.63	10.75	23.15
RF-51.113.0012.17*	12" IPS	20.83	14.17	6.30	0.75	12.75	35.67

SDR 11 (STANDARD DIMENSION RATIO) 200 PSI (WORKING PRESSURE AS 73.4° F)

Product Code	Nominal Diameter (inch)	L1 (inch)	L2 (inch)	L3 (inch)	s (inch) Min Wall	OD (inch)	Weight (lbs.)
FF-51.113.0075.11	3/4" IPS	3.35	2.83	1.77	0.10	1.05	0.07
FF-51.113.0001.11	1" IPS	3.66	3.03	1.85	0.12	1.32	0.11
FF-51.113.0125.11	1 1/4" IPS	4.33	3.46	2.05	0.15	1.66	0.21
FF-51.113.0150.11	1 1/2" IPS	4.88	3.94	2.24	0.17	1.90	0.34
FF-51.113.0002.11	2" IPS	5.71	4.41	2.44	0.22	2.38	0.44
FF-51.113.0003.11	3" IPS	7.48	5.67	3.23	0.32	3.50	1.43
FF-51.113.0004.11	4" IPS	8.90	6.54	3.66	0.41	4.50	2.65
FF-51.113.0006.11	6" IPS	12.13	8.74	4.49	0.60	6.63	7.23
FF-51.113.0008.11	8" IPS	15.75	11.42	5.63	0.79	8.63	16.75
FF-51.113.0010.11	10" IPS	18.82	13.35	6.14	0.98	10.75	31.53
RF-51.113.0012.11*	12" IPS	20.83	14.17	6.30	1.16	12.75	48.24

*Produced at AGRU Austria.

Notes:

- All dimensions shown are nominal and subject to manufacturing tolerance OD and minimum wall are determined in accordance with ASTM standards. Drawing shown is an approximation only.
- Please refer to DOT pressure requirements for natural gas applications.
- Fittings are marked to meet standards to which the product is produced and labeled.

